

Rotating cleaners - Chemidisc 100



PTFE

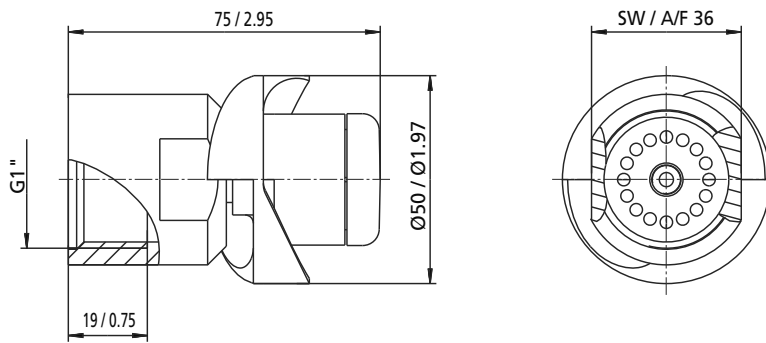


C-PTFE

Chemidisc 100	
Working pressure:	2-4 bar (29 - 58 psi)
Cleaning diameter:	4.6 m (15.1 ft)
Flow rate:	5.7 - 8 m <sup>3</sup> /h (95 - 134 l/min / 25.1 - 35.6 USgpm)
Spray angle:	360°
Operating temperature:	max. 95 °C (203 °F)
Ambient temperature/SIP:	max. 140 °C (284 °F), 30 min
Insertion opening:	min. Ø 55 (2.17 inch)
Materials:	C-PTFE or PTFE
Preferred mounting position:	any

- Chemical resistant - ideal for corrosive environments
- Lightweight construction - safer in glass lined vessels
- Effective wash - due to high rotation speed

Version	Part number
1" BSP female / C-PTFE	4660-1137-103
1" BSP female / PTFE	4660-1103-122



Dimensions (mm / inch)

