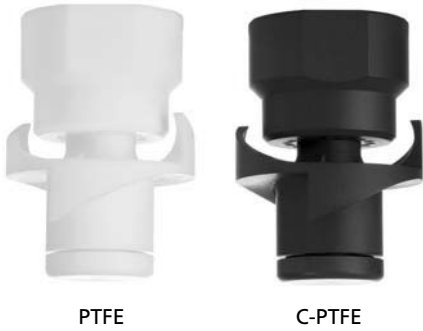


Rotating cleaners - Chemidisc 150



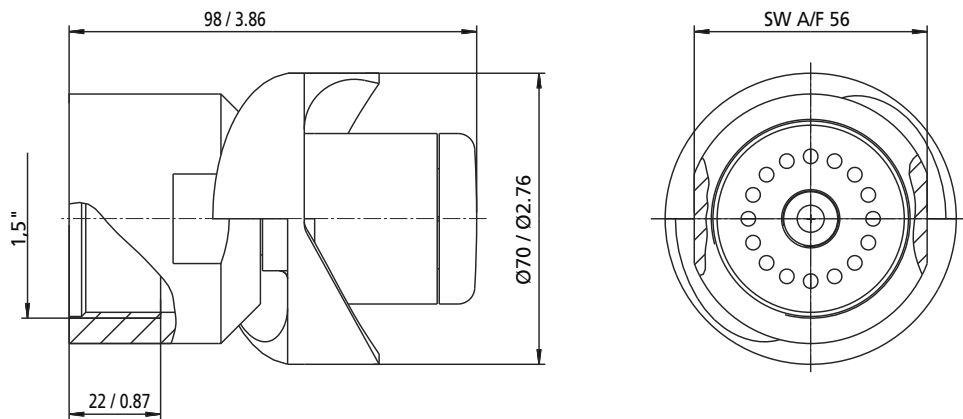
PTFE

C-PTFE

Chemidisc150	
Working pressure:	2-4 bar (29 - 58 psi)
Cleaning diameter:	5 m (16.4 ft)
Flow rate:	9.8 - 13.2 m ³ /h (163 - 220 l/min / 43.1 - 58.1 USgpm)
Spray angle:	360°
Operating temperature:	max. 95 °C (203 °F)
Ambient temperature/SIP:	max. 140 °C (284 °F), 30 min
Insertion opening:	min. Ø 75 mm (2.95 inch)
Materials:	C-PTFE or PTFE
Preferred mounting position:	any

- Chemical resistant - ideal for corrosive environments
- Lightweight construction - safer in glass lined vessels
- Effective wash - due to high rotation speed

Version	Part number
1 1/2" BSP female / C-PTFE	4660-1112-133
1 1/2" BSP female / PTFE	4660-1114-122



Dimensions (mm / inch)

