

Rotating cleaners - Chemidisc 75



PTFE

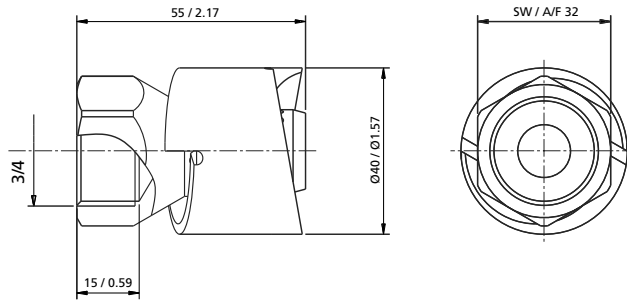


C-PTFE

Chemidisc 75	
Working pressure:	2-4 bar (29 - 58 psi)
Cleaning diameter:	3 m (9.8 ft)
Flow rate:	3.5 - 5 m <sup>3</sup> /h (59 - 83 l/min / 15.6 - 21.9 USgpm)
Spray angle:	360°
Operating temperature:	max. 95 °C (203 °F)
Ambient temperature/SIP:	max. 140 °C (284 °F), 30 min
Insertion opening:	min. Ø 41 mm (1.61 inch)
Materials:	C-PTFE or PTFE
Preferred mounting position:	any

- Chemical resistant - ideal for corrosive environments
- Lightweight construction - safer in glass lined vessels
- Effective wash - due to high rotation speed

Version	Part number
3/4" BSP female / C-PTFE	4660-1131-133
3/4" BSP female / PTFE	4660-1134-122



Dimensions (mm / inch)

