

Rotating cleaners - Clipdisc 100

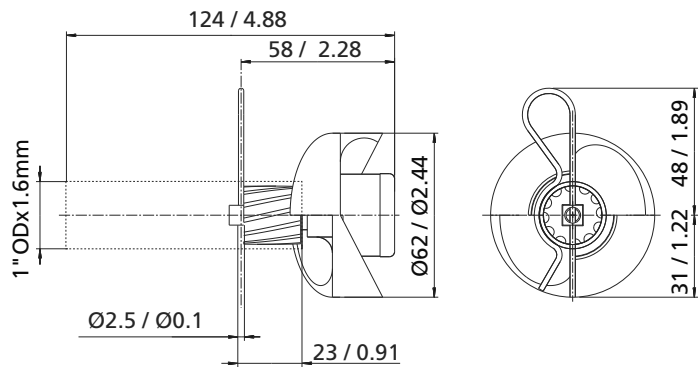


Photo shows cleaner with optional fixing tube

- High rotation speed
- Ultrahygienic
- Good rinsing performance

Clipdisc 100	
Working pressure:	2 - 4 bar (29 - 58 psi)
Cleaning diameter:	max. 4.3 m (14.1 ft)
Flow rate:	6 - 8.1 m ³ /h (100 -135 l/min / 26.4 - 35.7 USgpm)
Spray angle:	360°
Operating temperature:	max. 95 °C (203 °F)
Ambient temperature:	max. 140 °C (284 °F), 30 min
Insertion opening:	min. Ø 80 mm (3.15 inch)
Materials:	stainless steel 316L (1.4404) with PVDF
Preferred mounting position:	any

Version	Part number
Pin Fix for 1" OD pipe (25.4x1.6 mm)	4660-1301-507



Dimensions (mm / inch)

