

Rotating cleaners - Torus 100

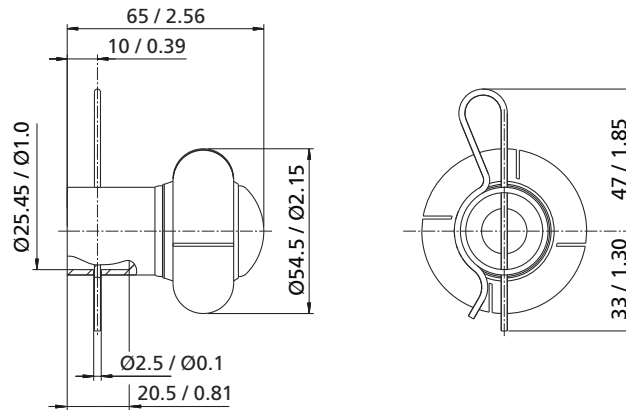


Torus 100

Working pressure:	1 - 4 bar (14.5 - 58 psi)
Cleaning diameter:	max. 4.8 m (15.7 ft)
Flow rate:	3 - 7.1 m ³ /h (50 - 118.3 l/min / 13.2 - 31.3 USgpm)
Spray angle:	360° (optional 180°)
Operating temperature:	max. 65 °C (149 °F)
Ambient temperature:	max. 75 °C (167 °F), 30 min
Insertion opening:	min. Ø 85 mm (3.35 inch)
Materials:	stainless steel 316L (1.4404) with PTFE or C-PTFE
Preferred mounting position:	any

- Ultrahygienic
- Low consumption of cleaning medium
- Effective wash - due to high rotation speed
- Low working pressure

Version	Part number
Pin Fix for 1" OD pipe (25.4x1.6) / C-PTFE	4660-1701-413
Pin Fix for 1" OD pipe (25.4x1.6) / PTFE	4660-1704-412



Dimensions (mm / inch)

