

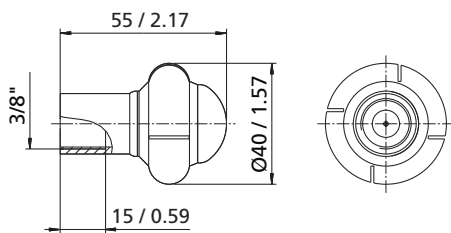
Rotating cleaners - Torus 50



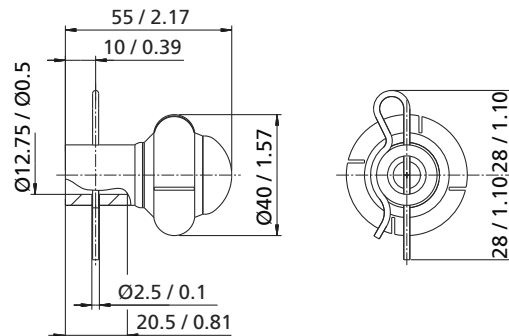
Torus 50	
Working pressure:	1 - 4 bar (14.5 - 58 psi)
Cleaning diameter:	max. 2.2 m (7.2 ft)
Flow rate:	0.9 - 2 m ³ /h (15 - 33.3 l/min / 4 - 8.8 USgpm)
Spray angle:	360° (optional 180°)
Operating temperature:	max. 65 °C (149 °F)
Ambient temperature:	max. 75 °C (167 °F), 30 min
Insertion opening:	BSP/NPT min. Ø 42 mm (1.65 inch) / Pin Fix 58 mm (2.38 inch)
Materials:	stainless steel 316L (1.4404) with PTFE or C-PTFE
Preferred mounting position:	any

- Ultrahygienic
- Low consumption of cleaning medium
- Effective wash - due to high rotation speed
- Low working pressure

Version	Part number
3/8" BSP female / C-PTFE	4660-1708-113
3/8" BSP female / PTFE	4660-1723-112
3/8" NPT female / C-PTFE	4660-1726-213
3/8" NPT female / PTFE	4660-1726-212
Pin Fix for 1/2" OD pipe (12.7x1.6 mm) C-PTFE	4660-1713-413
Pin Fix for 1/2" OD pipe (12.7x1.6 mm) PTFE	4660-1724-412



BSP female thread



Pin Fix

Dimensions (mm / inch)

