

Rotating cleaners - Turbodisc 100

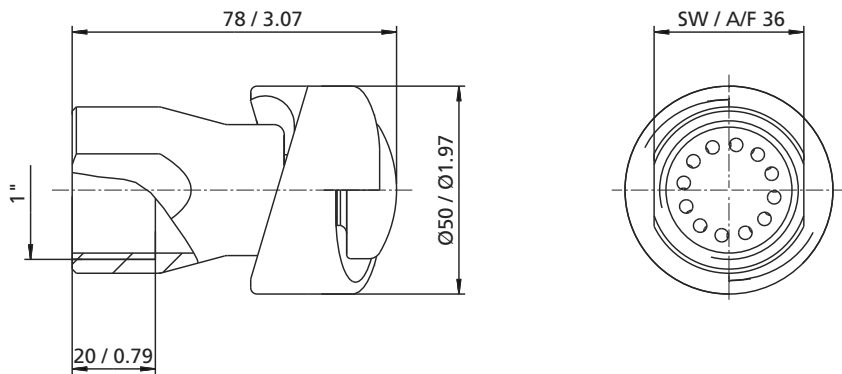


Turbodisc 100	
Working pressure:	2-4 bar (29 - 58 psi)
Cleaning diameter:	max. 4.5 m (14.8 ft)
Flow rate:	7.2 - 9.5 m³/h (120 - 158.3 l/min / 31.7 - 41.8 USgpm)
Spray angle:	360°
Operating temperature:	max. 95 °C (203 °F)
Ambient temperature/SIP:	max. 140 °C (284 °F), 30 min
Insertion opening:	min. Ø 55 mm (2.17 inch)
Materials:	stainless steel 316L (1.4404) with C-PTFE or PTFE
Preferred mounting position:	any

- Effective wash - due to high rotation speed
- Low flow rates

Version ¹	Part number
1" BSP female / C-PTFE	4660-1611-113
1" BSP female / PTFE	4660-1624-112
1" NPT female / C-PTFE	4660-1677-204
1" NPT female / PTFE	4660-1624-212

¹ optional with Pin Fix connection



Dimensions (mm / inch)

