

Rotating cleaners - Turbodisc 150

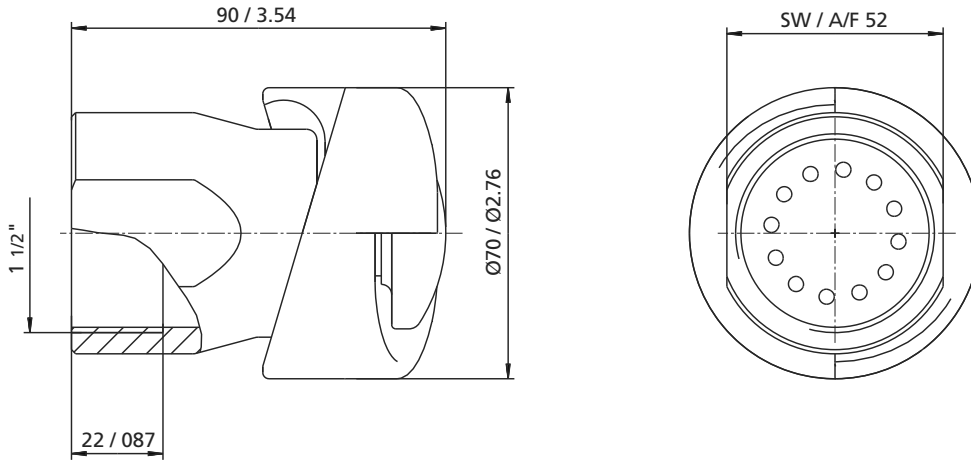


Turbodisc 150	
Working pressure:	2-4 bar (29 - 58 psi)
Cleaning diameter:	max. 5 m (16.4 ft)
Flow rate:	10.8 - 14.7 m ³ /h (180 - 245 l/min / 47.6 - 64.72 USgpm)
Spray angle:	360°
Operating temperature:	max. 95 °C (203 °F)
Ambient temperature/SIP:	max. 140 °C (284 °F), 30 min
Insertion opening:	min. Ø 75 mm (2.95 inch)
Materials:	stainless steel 316L (1.4404) with C-PTFE or PTFE
Preferred mounting position:	any

- Effective wash - due to high rotation speed
- Low flow rates

Version ¹	Part number
1 1/2" BSP female / C-PTFE	4660-1662-113
1 1/2" BSP female / PTFE	4660-1654-112
1 1/2" NPT female / C-PTFE	4660-1677-205
1 1/2" NPT female / PTFE	4660-1677-206

¹ optional with Pin Fix connection



Dimensions (mm / inch)

