

Orbital cleaner - Twister



- Powerful compact jetting cleaner
- Low flow rate
- Fits through 100 mm / 4 inch diameter hole
- High spray dwell time
- Similar to Typhoon, Tempest, Tornado for maintenance purposes

Approx. cycle times

Pressure	Nozzles Ø 3 mm	Nozzles Ø 4 mm
4 bar	2 min	3 min 30 s
6 bar	1 min 45 s	2 min 45 s
8 bar	1 min 30 s	2 min 15 s
10 bar	1 min 15 s	2 min

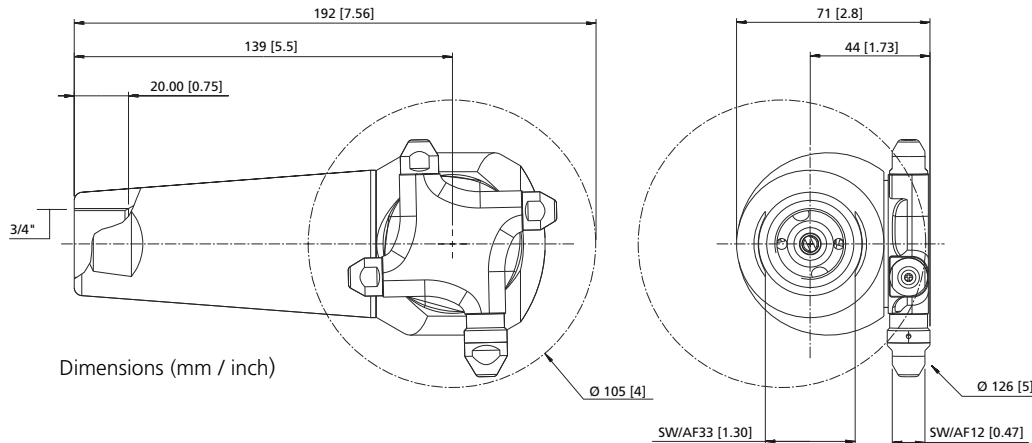
Recommended

working pressure:	4 - 10 bar (58 - 145 psi)
Cleaning diameter:	max. 16 m (52 ft)
Flow rate:	2.7 - 5.8 m <sup>3</sup> /h (45 - 97 l/min / 11.9 - 25.6 USgpm)
Spray angle:	360°
Operating temperature:	max. 95 °C (203 °F)
Ambient temperature:	max. 140 °C (284 °F), 30 min
Insertion opening:	min. Ø 100 mm (3.94 inch)
Materials:	stainless steel 316L (1.4404), C-PTFE or PTFE, C-PEEK
Weight:	approx. 2.0 kg (4.4 lbs)
Preferred mounting position:	any

Version 1

Version 1	Part number
3/4" BSP / 3 mm nozzles / C-PTFE	4660-4990-111
3/4" BSP / 4 mm nozzles / C-PTFE	4660-4990-121
3/4" BSP / 3 mm nozzles / PTFE	4660-4990-110
3/4" BSP / 4 mm nozzles / PTFE	4660-4990-120
3/4" NPT / 3 mm nozzles / C-PTFE	4660-4990-112
3/4" NPT / 4 mm nozzles / C-PTFE	4660-4990-122
3/4" NPT / 3 mm nozzles / PTFE	4660-4990-113
3/4" NPT / 4 mm nozzles / PTFE	4660-4990-123

<sup>1</sup> optional with Pin Fix connection



Dimensions (mm / inch)

