

Orbital cleaner - Typhoon



- Self-cleaning
- High spray dwell time
- Identical to Tempest & Tornado for maintenance purposes

Approx. cycle times

Pressure	Nozzles Ø 4.5 mm	Nozzles Ø 6 mm
4 bar	4 min 45 s	5 min 45 s
6 bar	4 min	4 min 30 s
8 bar	3 min 30 s	4 min
10 bar	3 min	3 min 30 s

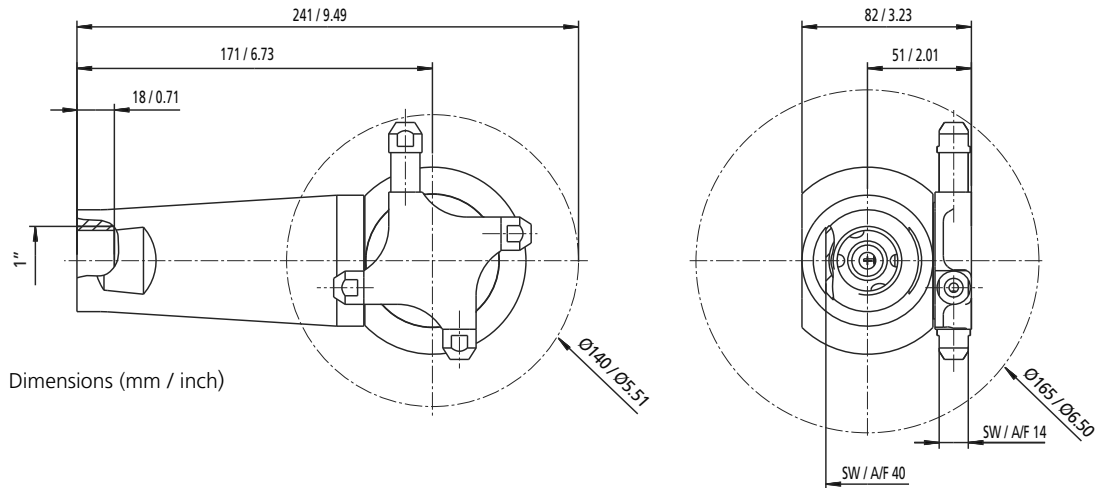
Recommended

working pressure:	4 - 10 bar (58 - 145 psi)
Cleaning diameter:	max. 17 m (55.8 ft)
Flow rate:	5.6 - 10.5 m ³ /h (93 - 175 l/min / 24.7 - 46.2 USgpm)
Spray angle:	360°
Operating temperature:	max. 95 °C (203 °F)
Ambient temperature:	max. 140 °C (284 °F), 30 min
Insertion opening:	min. Ø 130 mm (5.12 inch)
Materials:	stainless steel 316L (1.4404), C-PTFE or PTFE, C-PEEK
Weight:	approx. 2.8 kg (6.2 lbs)
Preferred mounting position:	any

Version ¹

Version ¹	Part number
1" BSP / 4.5 mm nozzles / C-PTFE	4660-4969-117
1" BSP / 6 mm nozzles / C-PTFE	4660-4969-118
1" BSP / 4.5 mm nozzles / PTFE 1"	4660-4969-119
BSP / 6 mm nozzles / PTFE	4660-4969-120
1" NPT / 4.5 mm nozzles / C-PTFE	4660-4969-121
1" NPT / 6 mm nozzles / C-PTFE	4660-4969-122
1" NPT / 4.5 mm nozzles / PTFE 1"	4660-4969-123
NPT / 6 mm nozzles / PTFE	4660-4969-124

¹ optional with Pin Fix connection



Dimensions (mm / inch)

Cleaning / Wetting Diameter

